



d-mute d-mute small

electronic anti bark
collar



User's guide

EN

Declaration of Conformity

We:

VNT electronics s.r.o.
Dvorská 605
563 01 Lanškroun
IČO: 64793826

declare under own responsibility that the product:

No-bark collar

Dogtrace d-mute, d-mute small

is in compliance with essential requirements and other relevant provisions of Directive 1999/5/EC from 9. 3. 1999 meets requirements of General Licence of The Czech Telecommunication Office according to general licence no. VO-R/10/05.2014-3, and corresponds

to the following standards:

ETSI EN 301 489-1 V1.9.2

ETSI EN 301 489-3 V1.6.1

ETSI EN 300 220-2 V.2.4.1

ETSI EN 60950-1:2006



The product is safe on condition of commonly used in conformity with instruction manual. The Declaration of Conformity is based on following data:

Measuring report no.: 3606/05 issued by certificated laboratory no. 1104. 3 ITC Uherské Hradiště

This Declaration of Conformity is created in exclusive responsibility of producer.

In Litomyšl 28.8.2014

Ing. Jan Horák

jednatel společnosti

Tel.: +420 733 121 890

info@dogtrace.com

www.dogtrace.com

A handwritten signature in black ink, appearing to be 'JH', is written over the printed name and title of the signatory.

Thank you for purchasing the product **Dogtrace d-mute** from **VNT electronics s.r.o., Czech Republic.**

Before using your product, please read the instructions in this user guide carefully and keep it for future reference.

Important notice

- The electronic no-bark collars d-mute are intended to eliminate unwanted dog barking. They are not intended to harm, injure or to cause fear.
- Do not use the electronic training collars for dogs with health problems (e.g. heart disease, epilepsy, etc.) or for dogs with behavioral disorders (aggressive dogs etc).
- The collar should never be worn for more than 12 hours a day. Long-term effect of contact points on the dog's skin can cause skin irritation. If a rash or sore skin is found, do not use the collar until it has healed.
- Never connect a leash to the electronic collar; this could cause excessive pressure on the contact points or mechanical damage of the receiver.
- In case of any problems or for further advice do not hesitate to contact a professional trainer.
- Batteries need to be replaced every two years, even if the kit has not been used. Never leave flat batteries inside the device - it could damage your device.

VNT electronics s.r.o., professional producer of the dog training equipment, which is manufactured and sold under the brand name **Dogtrace**, is a proud and active member of the **Electronic Collar Manufacturers Association**.

ECMA was founded in Brussels in 2004 as a result of increasing awareness from different manufacturers concerning the necessity of regulating their industry. The main target of the association is to develop and produce reliable training systems of high quality, which are safe for the animals and improve the communication between pets and their owners. All members of the ECMA provide you with both technical and training guides that contain instructions and advice for safe use of electronic training equipment and enable all dog owners to use the training systems in an effective, responsible and humane way. All ECMA member's products meet the latest technical requirements which ensure minimum production standards and safety features and enable training while protecting animal welfare.

The ECMA is convinced that the electronic training collars are effective and humane training tools when used responsibly and combined with an appropriate reward.

For more information please visit www.ecma.eu.com.



Contents

Important notice	3
ECMA	4
Contents	5
Introduction	6
Package contents	6
Optional accessories	6
Product description	7
Device preparation	8
The basics of use	10
Setting the correction mode (stimulation impulse and acoustic beep tone)	11
For the best results	14
Troubleshooting	15
Maintenance	16
Technical data	17
Warranty terms and conditions	18
Certificate of Warranty	20

Introduction

The **d-mute** no-bark collar is a safe and effective tool, which will help you to eliminate your dog's excessive or nuisance barking. The no-bark collar is a convenient solution in cases, when your dog starts barking after a merest impulse, or keeps barking the whole day after you leave to work, which can be annoying to your neighbours. The collar is activated by your dog's vocal cords vibrations only. This system prevents the risk that the collar would activate itself because of other dogs' barking. It is easy to adjust and set both the reaction of the collar to the vocal cords vibrations and the stimulation intensity. There are five modes of barking correction and one mode for testing the device. You can choose from an audible beep tone, three levels of stimulation and a special type of stimulation with growing intensity that has five levels.

There are four models available that are suitable for dogs of all sizes. The models **d-mute** and **d-mute light** are intended for medium-sized and large dogs, the models **d-mute small** and **d-mute small light** are suitable for medium-sized and small dogs. No-bark collars have an ergonomic and compact design are waterproof and very easy to use.

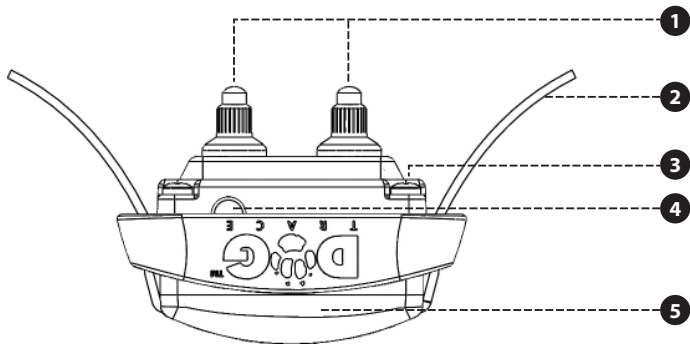
Package contents

- electronic collar with the strap
- set of contact points: 2 pieces of 10 mm and 17 mm
- user guide and certificate of warranty
- test discharge lamp
- magnet with a lanyard
- lithium battery CR2 3V

Optional accessories

- woven and plastic collars – various colours
- spare contact points (10 mm, 17 mm)
- spare screws
- spare batteries, spare rubber seal and a housing lid

Product description



- 1 - contact points
- 2 - woven collar
- 3 - screws
- 4 - target
- 5 - housing lid

Device preparation

Battery insertion and replacement

1. Screw out 4 screws from the battery cover using a cross-head screwdriver and remove the lid.
2. Insert a lithium battery CR2 3V into the battery compartment with a correct polarity (according to the polarity indicated with the “+” symbol in the battery compartment). Wrong polarity may damage the unit. When is the battery inserted correctly, the device should make a sound.
3. Make sure that the rubber seal is clean and correctly seated in its groove.
4. Put the battery cover back and screw in the 4 screws adequately.

Checking the battery status

- When the battery is inserted the device is set into the standby or active mode.
- If the product begins to make a continuous beep tone, the battery is low. Insert a new lithium battery CR2 3V in the device.
- If you are not using the device for longer period, take the battery out.

Choice of the contact points

The stimulation is transferred on your dog's skin through the steel contact points of the electronic device. Each set contains 2 types of contact points with the flat base, which enable the vocal cords vibration transmission. Sufficient length of the contact points has to have a contact with the dog's skin, enabling the device to operate correctly. If you have a short-haired dog use the 10 mm contact points, if you have a long-haired dog replace them with the longer 17 mm contact points supplied in the kit. Screw the contact points

onto the screws of the device - see the picture Receiver in the chapter *Product description*, page 7. Tighten them manually carefully (do not use a pliers – this could damage the product).

TIP: When your dog has a dry skin in the area where the contact points are, it is good to lubricate the dog's skin with a vaseline, hand cream, or baby oil - which enables a correct transfer of stimulation impulses.

Fitting the collar

The device has to be positioned so that the contact points are placed on the neck where the vocal cords are. The strap with the device must be tightened enough so that the contact points are in contact with the skin of the dog. We recommend you to fit the collar on the standing dog. When you can fit two fingers between the collar and your dog's neck, the collar is tightened enough. We recommend to move the device up and down on the neck to enable the contact points to get through the dogs hair onto the skin. If a dog has long or thick hair, it is suitable to trim the hair in the area of the contact points.

Warning: If the collar is too loose, the receiver is likely to move and repeating friction can irritate the skin of your dog. Furthermore, in this case it is not ensured a reliable contact of contact points with the skin and a proper function of the collar. We do not recommend to leave the collar positioned at the same place for more than several hours, because it could irritate the skin. If it is necessary to wear the collar for long periods, change regularly the position on the neck of your dog. A collar with a receiver that is overly tight, can cause pressure sores on the skin in the contact area of the contact points. If this happens, do not use the training collar until all traces of irritation are gone.

The basics of use

d-mute is activated automatically when the dog starts barking (sometimes even with howling and growling). The collar does not operate on the principle of sound, but it responds to vibrations of the vocal cords. This system thus prevents the risk of a false start caused by another dog barking.

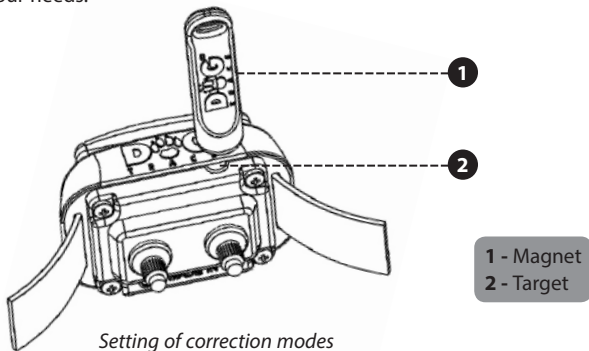
- Device with inserted batteries is in standby or active mode. (The device can be turned off only by removing the battery.)
- In standby mode, the device is waiting for a dogs bark - vibration of the vocal cords.
- First bark activates the device and it emits an acoustic beep tone or beep tone with the stimulation impulse. Intensity of stimulation depends on the selected mode.
- The collar has 5 modes for barking correction. You can choose between an acoustic beep tone, three levels of stimulation pulses and pacing mode with increasing intensity in five steps *see table on page 12*.
- If your dog keeps barking, the device will beep or will beep together with stimulation impulse. Collar beeps 4times and then the process stops automatically.
- When the dog gets quiet for 10-20 seconds, the system will switch back into standby mode. Another barking will be accompanied by an acoustic beep signal or the acoustic signal with stimulation impulse.
- Once the dog gets used to the collar and how it works, then he will stop barking after the acoustic signal. When this happens it is possible to switch to the mode 1 (if the dog starts barking again, short change of the mode will remind him of collar function).

Setting the correction mode (stimulation impulse and acoustic beep tone)

The collar is preset to factory default to mode "1" – correction with acoustic beep tone only.

Correction modes can be set to the acoustic beep tone only or acoustic beep tone with different levels of stimulation impulse. We recommend to start the training with the collar set to the beep tone with no stimulation impulse. This way, the dog can realize the connection between the device and its barking. The beep tone may not be enough for the dog to stop him barking at first, but it may help him to understand that it comes straight after his barking.

When you are happy with the dogs response to the collar, you can set it according the table of correction modes on next page. The correction mode can be set according to your needs.



Setting of correction modes

Table of correction modes

Mode*	Number of indication beeps	Collar function
1	1	beep tone correction only
2	2	beep tone + low level stimulation impulse
3	3	beep tone + medium level stimulation impulse
4	4	beep tone + high level stimulation impulse
5**	5	beep tone + stimulation impulse in 5 increasing levels
6***	6	operation test

* The chosen mode can be found out by number of beeps, when you put the magnet shortly to the target on the device (*see pic. on page 11*). To change the mode put the magnet to the target for longer period and wait until you hear desired number of beeps (1 - 6).

** The 5th mode with five increasing levels essentially replicates the functionality of previous modes. After activation follows an acoustic beep tone and low stimulation impulse in the event that the dog is not deterred and still barks, it is followed by another and higher stimulation impulse, so the process is repeated until the highest pacing impulse. By the 5th impulse this mode ends, even if the dog is still barking, for security reasons impulses stop for 15 seconds and then it re-enters standby mode. Upon further activation is the process repeated again from the lowest impulse, when the dog stops barking, collar goes into standby mode.

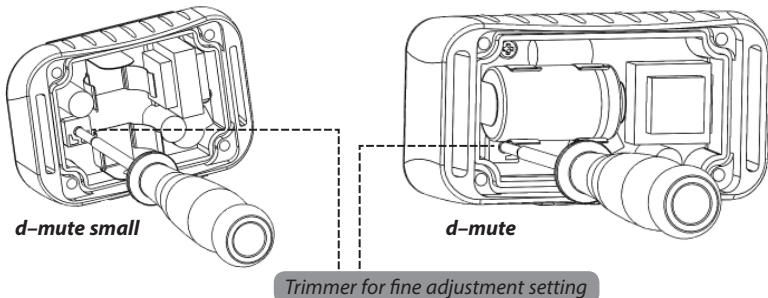
Attention: 4th and 5th stimulation impulse at the 5th mode is stronger than in mode 4 (high).

***** Operation test** is a mode, which is used to verify proper operation of sound and stimulation impulse. Connect each wire of the test discharge lamp to the one contact point (loosen the contact points, put the wires under the lamp outlets and tighten again). When selecting the mode, no. 6 (operation test) you should hear the acoustic signal + electronic impulse comes ON (test lamp lights up), then the software switches itself to a mode 1 (acoustic beep tone). If you don't hear a long acoustic signal or if it does not light up send to the service.

Setting reaction to vibration (vibration detection sensitivity) with a trimmer

The reaction to the vibration means that the device is activated by vibrations of the dogs vocal cords. If your device only reacts to a significant or contrariwise on bland vibration of vocal cords, which are scanned by the contact points, you can adjust the sensitivity of the collar so it starts working only at the right moment. This (sensitivity) setting is important for the proper function of the device.

Sensitivity setting



Using the fine adjustment trimmer, you can decrease or increase the sensitivity of the collar to vocal cords vibrations (*see pic. on page 13*). It is set to a medium value by factory default. By turning the trimmer anti-clockwise, the sensitivity is decreased and by turning it clockwise, it is increased.

Attention: trimmer is prone to tearing down!

For the best results

- This electronic device d-mute is waterproof only on condition of the good state of the seal.
- Do not allow water into the device if it is open.
- We recommend you to replace the rubber seal, which is placed under the cover of the battery compartment of the transmitter and the receiver, once a year.
- If the device is not used for a longer time, take out the batteries from the battery compartment.
- Do not leave old battery in the device, it can damage the device.
- Before fixing the collar check that the contact points are tight.
- Do not leave the collar on the neck longer than 12 hours a day.

Using the d-mute in winter

When using d-mute in winter, please keep in mind:

- **Low humidity** – causes less skin conductivity. It is necessary to provide better conductivity between the contact points of the receiver and the dog's skin. This can be achieved by lubricating the dog's skin in the touching points of the contact points with vaseline, baby oil, hand lotion, etc.

- **Thicker fur dog** – it is necessary to tighten the collar so that the permanent contact with the dog's skin is ensured. If the fur is too thick, it is recommended to cut the hair or choose a longer type of contact points.
- **Battery properties change** – temperatures below 0 °C slow down chemical reactions in batteries. To ensure a performance of repetitive stimulation impulses (especially of higher levels), it is recommended to insert a new battery into the receiver for the winter time. During the training, observe continuously dog's reactions and increase the stimulation level as needed.

Troubleshooting

1. Read again this user guide and make sure the problem is not caused by a flat battery or incorrect use.
2. Make sure the batteries are inserted with the correct polarity.
3. If it seems, that the dog does not respond to the stimulation impulse:
 - Check again, if the battery is not low.
 - Test the device's function with the test discharge lamp. (See the Operation test on the *page 13*).
 - Check whether you have chosen correct length of the contact points (See the chapter: *Choice of the contact points*) and ensure contact points are well tightened (see the chapter: *Fitting the collar*).
 - If the dog has dry skin, moisten the skin.
4. **Check the correct function of the stimulation impulse.** By using the test discharge lamp you can easily check correct function of the stimulation impulse. Follow the instructions on the *page 13*.
5. If the problem still persists, contact your dealer.

Maintenance

It is important to keep the device clean. Never use volatile substances eg.: thinner, gasoline or other cleaners. To clean your Dogtrace d-control use a soft, damp cloth and, if necessary, neutral detergent.

d-mute is waterproof only on condition of the good state of the seal. We recommend you to replace the rubber seal, which is placed under the cover of the battery compartment of the transmitter and the receiver, once a year. Clean the rubber seal and make sure that the rubber seal is correctly seated in its groove every time you change the batteries; tighten the screws using adequate power.

If the device is not used for a longer time, take out the batteries from the battery compartment.

Technical data

d-mute and d-mute light

Power supply	CR2 3V lithium battery
Battery life.....	6 - 12 months in standby mode
Tightness	waterproof
Collar.....	adjustable to neck size from 18 to 72 cm
Operating temperature	-10 °C to +50 °C
Weight	67 grams (without battery)
Dimensions.....	77 x 38 x 37 mm

d-mute small and d-mute small light

Power supply	CR2 3V lithium battery
Battery life.....	6 - 12 months in standby mode
Tightness	waterproof
Collar.....	adjustable to neck size from 18 to 53 cm
Operating temperature	-10 °C to +50 °C
Weight	50 grams (without battery)
Dimensions.....	61 x 40 x 34 mm

Warranty terms and conditions

VNT electronics s.r.o. provides a 2-year warranty on the **Dogtrace** products with respect to defects in material and workmanship under normal use and service from the date of the original purchase.

The limited warranty does not cover the following:

- batteries
- straps
- damage resulting from misuse, accident, modification or alteration to hardware or software, tampering, unsuitable physical or operating environment beyond product specifications, improper maintenance, or failure caused by a product for which VNT electronics s.r.o. is not responsible.

1. The warranty period commences on the date of purchase. The sales receipt or your purchase invoice showing the date of purchase of the product, showing the serial number and date of purchase of the product, is the proof of the date of purchase.
2. Within the warranty period, VNT electronics s.r.o. will, at no additional charge; perform repair or replacement of defects in workmanship or parts covered by this warranty.
3. The warranty does not cover damage resulting from:
 - a) transportation, fall, weather, extreme temperatures, improper use, mishandling or negligence after the purchase of the product
 - b) natural disaster (wind, earthquake, lightning storm etc.)

- c)** maintenance or misuse other than in accordance with the instructions provided by VNT electronics s.r.o. in relation to the product
 - d)** modification by a party not authorized by VNT electronics s.r.o.
- 4.** The warranty provided only applies to the product purchased from official dealer.
 - 5.** We require that all items being sent for repair must be clean. Items deemed insufficiently clean will be returned to the customer unrepaired. Please do not include the strap or any other accessories if not subject to warranty.
 - 6.** Other rights and liabilities of the manufacturer and claimants are based on relevant general obligatory legal regulations of the country where the product was sold.